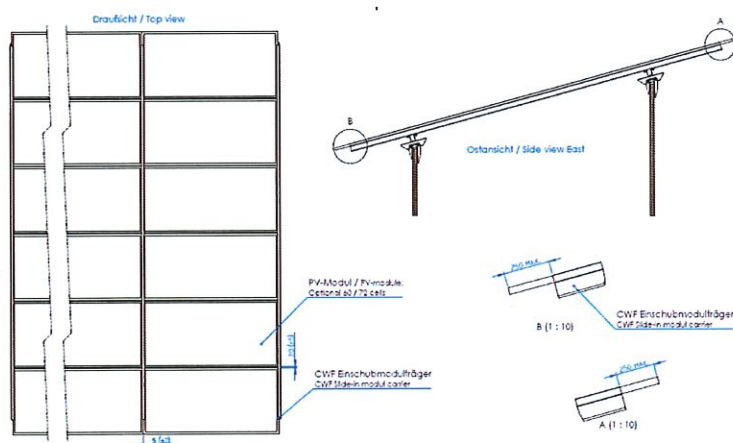
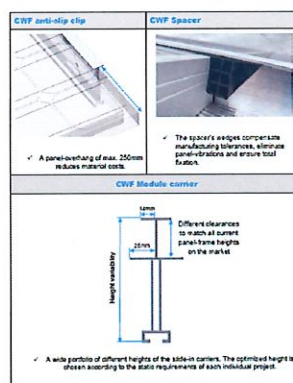


Declaration

To: BayWa r.e. Solar Systems S.à.r.l

We hereby confirm that the usage of the CWF slide-in-system showing in below pictures, in combination with JA Solar modules (JAM54S30MR, JAM54S31MR) are approved if the panels are not subject to a mechanical load exceeding the following maximum permissible test load bearing capacity:

Uplift Load: 1600 Pa
 Down force load: 1600 Pa



Installation should be done according to JA Solar Installation Manual indications and considering that the loads indicated in this document are Test Loads. To obtain the Design Load in accordance with IEC, Test Loads should at least be divided by 1.5.

The PV system must be designed in compliance with the industry standard of photovoltaic system and must always take module specifications into considerations. System designers and installers are solely responsible for system design and installation. JA Solar assume no responsibility for the defect which is caused by mounting system or related components.

Shanghai JA Solar PV Technology Co. Ltd.

August.12th, 2022

